

JAC



JAC FORKLIFT

H Series Internal Combustion
Counterbalanced Forklift Truck

CPC42H/CPC45H/CPCD45H/CPC50H/CPCD50H



JAC HEAVY DUTY IMPORT&EXPORT CO.,LTD

H

Transport expert roots in automobile quality

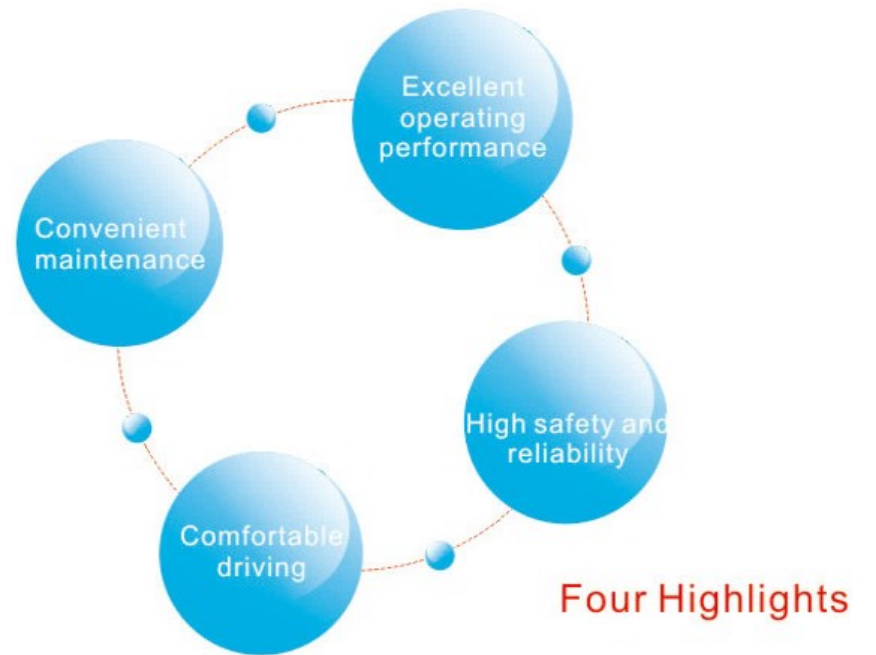


JAC HEAVY DUTY IMPORT&EXPORT CO.,LTD
Address: JAC Heavy Industry Base, No. 2 Shanghai Road,
Baohe Industrial Park, Hefei, Anhui Province
Tel: 86-551-62297986, 86-551-62297998
Fax:86-551-62297990 Zip code: 230051
Website: www.jacforklift.com E-mail:info@jac-forklift.com

Our products are subject to improvements and changes without notice.
Version Y201509030

JAC

Selling Points of H Series 4.2–5 Ton Internal Combustion Counterbalance Forklift



No.1 Excellent operating performance

• Low fuel consumption
The fuel consumption at maximum running speed under full load (4.5 tons) is 6.5L/h, so that the energy will be saved and the environment will be protected.

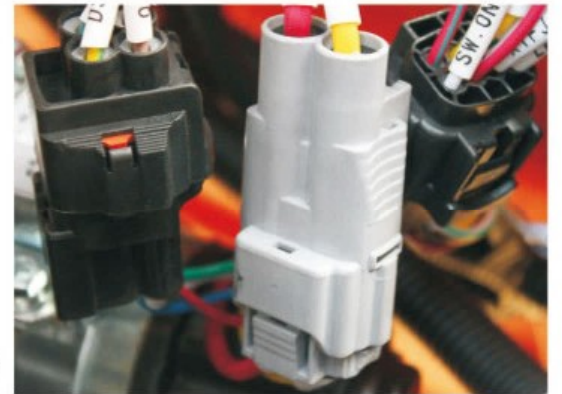
• Load sensing hydraulic system
Load-sensitive hydraulic system ensures the fork to lift with full load while the engine is running idly so as to reduce fuel consumption.

• Improved longitudinal stability of the forklift

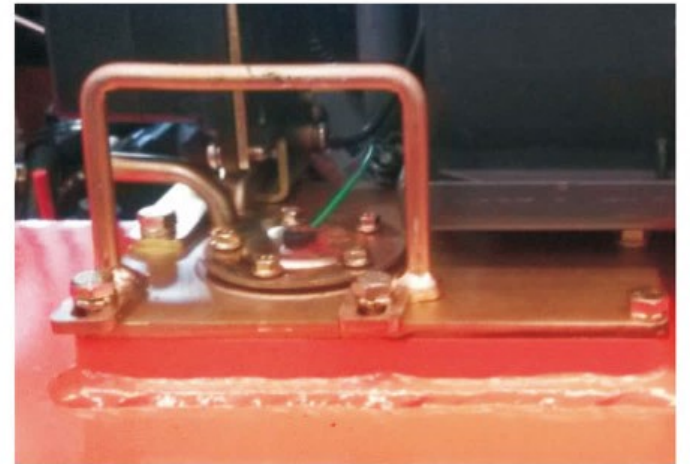


• Engine electrical system adopts water-proof connectors
The imported water-proof connectors are more reliable.

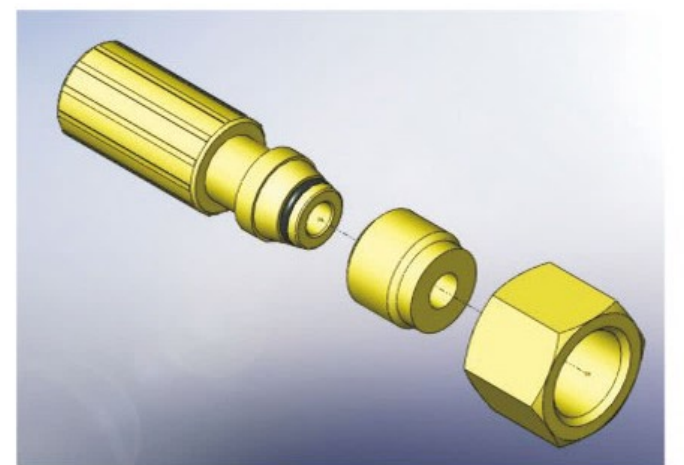
Water-proof grade Ip65



• Reliable sealing of oil tank cover
The cover adopts flange sealing against leak.



• 24° cone + O ring
The hydraulic system adopts the most advanced sealing.



No.2 High safety and reliability

- **High-mount air intake**

Mechanical gear: The air intake is realized with two high-mounted air filters, so as to prolong the service life of engine.



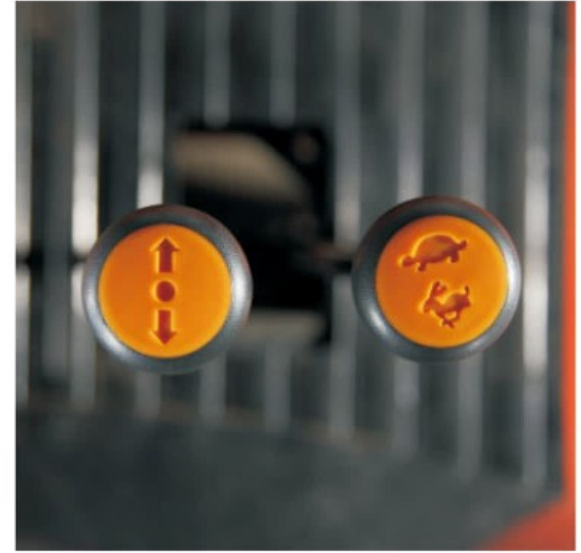
- **Emergency stop switch**

Mechanical gear: One-button-based control, which can effectively protect the electrical system.



- **The gear-shift force is low**

Provided as standard configuration, the synchronizer-based transmission is easy to operate and can save labor.



No.4

Convenient maintenance

- **Early-warning of instruments service is provided**

Regular early-warning of instruments service realizes intelligent service.



- **Large opening angle of engine hood**

The engine hood can be lifted to 80° for easy maintenance.



- **The 1st shaft of transmission is telescopic, so that the replacement of pressure disc and friction disc can be realized without removal of engine**

No.3

Comfortable driving

- **Wide mast**

Wide mast broadens visual field.



- **Labor-saving clutch control mechanism**

The control mechanism adopts high lever ratio, so that it is easy and convenient to operate.

Four Selling Points of H Series Internal Combustion Counterbalance Forklift



2M WFOV BASIC MAST

Lift height	Load capacity		Overall height of mast			Mast tilt angle			
			Forks(on the ground)	Fully extended		Hydraulic		Mechanical	
				With backrest	Without backrest	FR/RR		FR/RR	
Front wheel	Single tire	Dual tire				Single tire	Dual tire	Single tire	Dual tire
mm	kg	kg	mm	mm	mm	°	°	°	°
2500	4500	4500	2015	3730	3380	6/12	6/12	8/10	8/10
2700	4500	4500	2115	3930	3580	6/12	6/12	8/10	8/10
3000	4500	4500	2265	4230	3880	6/12	6/12	8/10	8/10
3300	4500	4500	2415	4530	4180	6/12	6/12	8/10	8/10
3500	4500	4500	2515	4730	4380	6/12	6/12	8/10	8/10
3750	4500	4500	2640	4980	4630	6/12	6/12	8/10	8/10
4000	4500	4500	2815	5230	4880	6/12	6/12	8/10	8/10
4250	4500	4500	2940	5480	5130	6/12	6/12	8/10	8/10
4500	4300	4500	3065	5730	5380	6/12	6/12	6/6	8/10
4750	4100	4500	3190	5980	5630	6/12	6/12	6/6	8/10
5000	3900	4300	3315	6230	5880	6/6	6/12	6/6	8/10
5500	3600	3900	3615	6730	6380	3/6	6/6	3/6	6/6
6000	3300	3500	3865	7230	6880	3/6	6/6	3/6	6/6

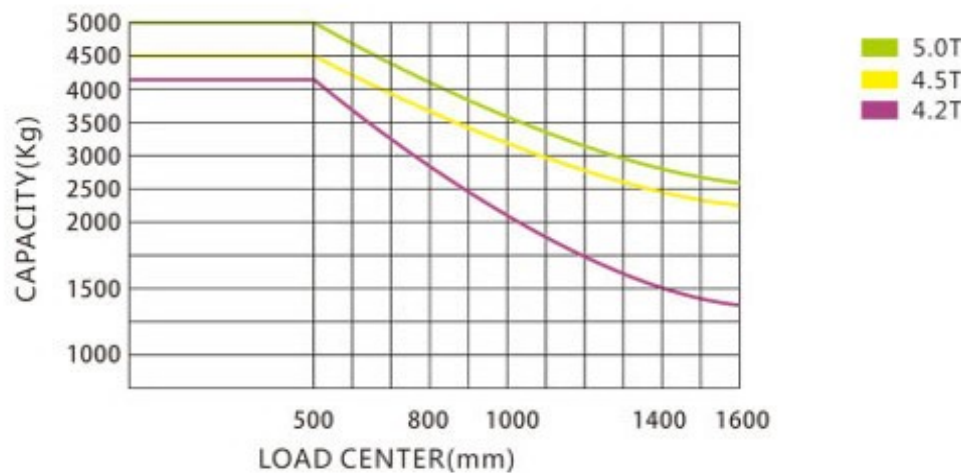
BM 2-STAGE FULL FREE MAST

Lift height	Load capacity		Overall height of mast				Mast tilt angle				
			Forks(on the ground)	Fully extended		Free		Hydraulic		Mechanical	
				With backrest	Without backrest	With backrest	Without backrest	FR/RR		FR/RR	
Front wheel	Single tire	Dual tire					Single tire	Dual tire	Single tire	Dual tire	
mm	kg	kg	mm	mm	mm	mm	°	°	°	°	
2500	4500	4500	2015	3730	3380	2015	2365	6/12		8/10	
2700	4500	4500	2115	3930	3580	2115	2465	6/12		8/10	
3000	4500	4500	2265	4230	3880	2265	2615	6/12		8/10	
3300	4500	4500	2415	4530	4180	2415	2765	6/12		8/10	
3500	4500	4500	2515	4730	4380	2515	2865	6/12		8/10	
3600	4500	4500	2640	4830	4480	2640	2990	6/12		8/10	
3700	4500	4500	2815	4930	4580	2815	3165	6/12		8/10	
4000	4500	4500	2940	5230	4880	2940	3290	6/12		8/10	
4250	4300	4500	3065	5480	5130	3065	3415	6/12		8/10	
4500	4100	4500	3190	5730	5380	3190	3540	6/12		8/10	

CM 3-STAGE FULL FREE MAST

Lift height	Load capacity		Overall height of mast				Mast tilt angle				
			Forks(on the ground)	Fully extended		Free		Hydraulic		Mechanical	
				With backrest	Without backrest	With backrest	Without backrest	FR/RR		FR/RR	
Front wheel	Single tire	Dual tire					Single tire	Dual tire	Single tire	Dual tire	
mm	kg	kg	mm	mm	mm	mm	°	°	°	°	
3600	4100	4100	2010	4910	4560	1165	1515			6/6	
4000	4100	4100	2145	5310	4960	1165	1515			6/6	
4200	4100	4100	2210	5510	5160	1165	1515			6/6	
4350	4100	4100	2260	5660	5310	1165	1515			6/6	
4500	4100	4100	2310	5810	5460	1315	1665			6/6	
4800	4100	4100	2410	6110	5760	1415	1765			6/6	
5000	3750	3900	2480	6310	5960	1465	1815			6/6	
5500	3250	3800	2645	6810	6460	1515	1865			3/6	
6000	2750	3500	2860	7310	6960	1665	2015			3/6	
6500	2300	3100	—	—	—	—	—			3/6	
7000	2000	2750	—	—	—	—	—			3/6	

LOAD CAPACITY



Note: the vertical axis represents the CAPACITY and the horizontal axis represents the LOAD CENTER. The calculation of LOAD CENTER starts with the frontage of fork. The basic point of standard load refers to the center of a cube with load side 1000mm long. The CAPACITY will drop if the mast tilts forwards, a non-standard fork is adopted or the load width is excessive. The CAPACITY at the LOAD CENTER could be timely learnt of through the load curve.

STANDARD EQUIPMENT

- Standard forks
- Standard seat
- Charging indication
- Backrest
- Backup light
- Back-up buzzer
- Side mirror
- Light switch
- Lamp bracket
- Electric horn
- 2-piece selector valve
- Engine choke
- Direction switch
- Combination taillight
- Rain cover of overhead guard
- Durable rib tire
- Hour meter
- Air cleaner clogging alarm
- WFOV mast
- Cable type parking brake
- Lift/tilt lever
- Lift circuit governor valve
- Drawbar pin
- Headlight
- Tilt adjustable steering wheel
- Tilt circuit self-locking valve
- Full hydraulic power steering
- Overhead air intake system
- Handle
- Coolant temperature gauge
- Tool kit
- Rubber pedal pad
- Battery set
- Cyclone air cleaner
- Pointer type instrument cluster
- LCD instrument cluster
- Hydraulic return filter element
- Hydraulic suction filter element
- Hydraulic oil scale
- Oil pressure alarm
- Key switch
- Brake
- Turn signal light

OPTIONS EQUIPMENT

- 2nd shifter
- Boom
- Windshield
- Hook
- 2(3)-section full free mast
- Deluxe seat
- High exhaust pipe
- Lengthened forks
- Lengthened fork cover
- Cab
- Cab heater
- Muffler with spark arrester
- Jib
- Hinged forks
- 3-section full free mast
- Solid tire
- Dual air filter
- Rotating beacon
- User specified color
- Paper roll clamp
- Small fan

ENGINE TYPE SELECTION AND PARAMETERS

Manufacturer	Power type	Model	Number of cylinders	Bore x stroke mm	Total displacement L	Rated output/RPM Kw/r.p.m	Rated torque/RPM Nm/r.p.m	Emission standard	Applicable forklift truck					
									CPC42	CPC45	CPC45 off-road	CPCD45	CPC50	CPCD50S
Xinchang, China	Diesel	A498BPG	4	98 x 105	3.170	45/2500	205/1600-1800	Nationa Stage II						
Xinchang, China	Diesel	4D35G	4	98 x 115	3.460	48/2300	230/1600-1800	Nationa Stage II						
Quanchai, China	Diesel	4JR3ABG18	4	108 x 135	4.94	60/2200	320/1700	Nationa Stage II						
Xichai, China	Diesel	LR4B3-22	4	108 x 125	4.580	57/2200	305/1700	Nationa Stage II						
Perkins, UK	Diesel	1104D-44	4	105 x 127	5.334	55.9/2200	265/2200	EU stage III						
Mitsubishi, Japan	Diesel	S6S	6	94 x 120	4.996	57.4/2300	260/1700	EU stage III						
Quanchai, China	Diesel	QC4108	4	108 x 135	4.94	60/2200	320/1700	Nationa Stage II						
Xichai, China	Diesel	CA4110	4	110 x 125	4.75	61/2200	305/1500	Nationa Stage II						
Xinchang, China	Diesel	4D32ZG31	4	98 x 105	3.170	48/2300	250/1600-1800	Nationa Stage III						
Quanchai, China	Diesel	4C5	4	95 x 115	3.12	60/2200	300/1800	Nationa Stage III						
Xichai, China	Diesel	4DX23	4	102 x 118	3.857	60/2200	320/1400-1700	Nationa Stage III						

SPECIFICATION TABLE OF FORKS

Standard equipment LxWxT mm	Width W mm	Thickness T mm	Length series L mm										Mounting class
			770	920	1070	1220	1370	1520	1670	1820	1970		
1070x150x55	150	50	770	920	1070	1220	1370	1520	1670	1820	1970	III	

SPECIFICATIONS

Model		CPC42H	CPC45H	CPC45 off-road	CPCD45H	CPC50H	CPCD50H		
1	Power type	Diesel	Diesel	Diesel	Diesel	Diesel	Diesel		
2	Rated load	kg 4200	4500	4500	4500	5000	5000		
3	Load center distance	mm 500	500	500	500	500	500		
4	Lift height	mm 3000	3000	3000	3000	3000	3000		
5	Free lift height	mm 150	150	150	150	150	150		
6	Fork size	L x W x T mm 1070 x 150 x 50	1070 x 150 x 50	1070 x 150 x 50	1070 x 150 x 50	1070 x 150 x 50	1070 x 150 x 50		
7	Mast tilt angle	FR/RR ° 8/10	8/10	10/10	6/12	8/10	6/12		
8	Minimum turning radius	mm 2750	2970	3170	2750	3050	2750		
9	Minimum right angle stacking aisle width	mm 4685	4915	5115	4685	4965	4685		
10	Minimum right angle aisle width	mm 2612	2678	2740	2612	2702	2612		
11	Minimum ground clearance	mm 150	150	250	150	150	150		
12	Height of overhead guard	mm 2265	2265	2430	2265	2265	2265		
13	Overhang(FR)	mm 547	547	686	547	547	547		
14	Maximum travel speed	Full load km/h 20	20	25	19	18	19		
15	Maximum lift speed	Full load mm/s 355	465	403	500	375	500		
16	Maximum drawbar pull	Full load KW 37	41	42	40	51	40		
17	Gradeability	% 20	20	20	20	20	20		
18	Overall length	Without forks mm 3102	3202	3440	3102	3202	3102		
19	Overall width	mm 1480	1480	1988	1480	1988	1480		
20	Fork height at maximum lift(with backrest)	mm 4425	4425	4425	4425	4425	4425		
21	Mast height	mm 2230	2230	2405	2230	2230	2230		
22	Tires	Front wheel	2-8.25-15-14PR	2-8.25-15-18PR	4-8.25-15-14PR	2-16.0/70-16PR	2-300-15-20PR	4-8.25-15-14PR	2-300-15-20PR
23		Rear wheel	2-7.00-12-12PR	2-7.00-12-12PR	2-7.00-12-12PR	2-8.25-12-12PR	2-7.00-12-12PR	2-7.00-12-12PR	2-7.00-12-12PR
24	Wheelbase	mm 2000	2100	2150	2000	2100	2000		
25	Tread	Front wheel/rear wheel mm 1182/1202	1182/1202	1368/1202	1460/1202	1182/1202	1182/1202		
26	Service weight	Without load Kg 6150	6220	6380	6550	7000	6750		
27	Battery	Voltage/capacity V/Ah 24/80	24/80	24/80	24/80	24/80	24/80		
28	Engine	Model	Xinchang 4D32ZG31		Quanchai 4C5	Xichai 4DX23	Quanchai 4C5	Xichai 4DX23	
29		Rated output	48/2300		60/2200				
30		Rated torque	250/1600-1800		300/1800	320/1400-1700	300/1800	320/1400-1700	
31		Bore x stroke	98 x 105		95 x 115	102 x 118	95 x 115	102 x 118	
32		Number of cylinders	4		4	4	4	4	
33	Displacement	3.17		3.12	3.857	3.12	3.857		
34	Fuel tank capacity	L 90	110	130	90	110	90		
35	Transmissions(FWD/RWD)	2/2 Manual shift	3/2 Manual shift	2/2 Manual shift	2/2 Manual shift	2/1 Manual shift	2/2 Manual shift	2/1 Manual shift	
36	Operating pressure	Mpa 19.5							
37	Tire type(FR/RR)	Pneumatic							
38	Number of wheels(FR/RR)	2/2							
39	Lowering speed(full load)	mm/s 390	490	490	520	430	520		
40	Lowering speed(no load)	mm/s 375	470	470	510	420	510		
41	Axle load distribution(full load)(FR/RR)	kg 9580/1200	9440/980	9720/1020	10160/960	10360/1340	10340/960		
42	Axle load distribution(no load)(FR/RR)	kg 2820/3460	2660/3360	2920/3380	3180/3480	2800/4000	2700/3540		

Calculation of minimum right angle stacking aisle width: Pallet size: 1100mm x 1100mm, total clearance(FR/RR):100mm

DIMENSIONAL DRAWING

