

JAC



JAC FORKLIFT

H Series Internal Combustion
Counterbalanced Forklift Truck

CPC10H / CPCD10H / CPC15H / CPCD15H / CPC18H / CPCD18H
CPC20H / CPCD20H / CPC25H / CPCD25H / CPC30H / CPCD30H
CPC35H / CPCD35H / CPC38H / CPCD38H / CPC40H / CPCD40H



JAC HEAVY DUTY IMPORT & EXPORT CO.,LTD



***MATERIAL HANDLING EXPERTS
FROM AUTOMOTIVE QUALITY***



JAC HEAVY DUTY IMPORT & EXPORT CO.,LTD



ADDRESS: NO.2, SHANGHAI ROAD, BAOHE INDUSTRIAL PARK, HEFEI, ANHUI, CHINA
PC. 230051



TEL: +86-551-62297986



FAX: +86-551-62297990

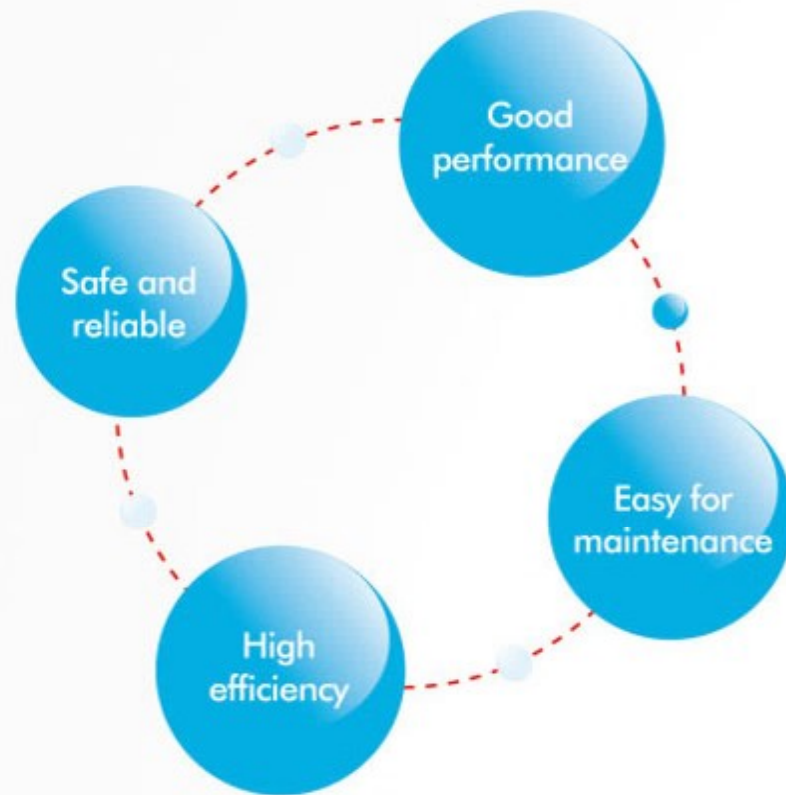
ISO 9001
ISO 14001
OHSAS 18001

[http:// www.jacforklift.com](http://www.jacforklift.com)

E-mail:info@jac-forklift.com

Selling Points Of H Series 1-4t Internal Combustion Counterbalanced Forklift Trucks

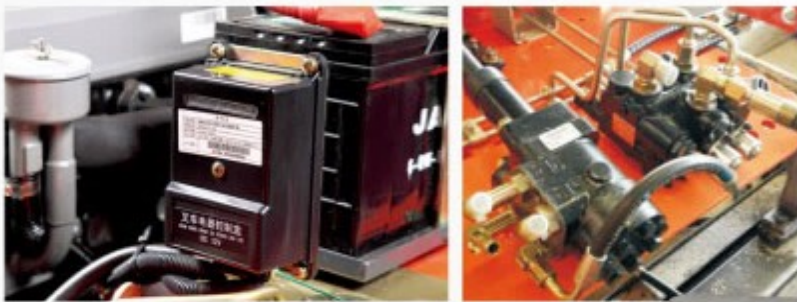
Four Highlights



No.1 Good performance

◆ Delayed power-off—The first in China

The machine will be powered off in case the machine has been powered on but not in use for at least 10 minutes, which is safe and energy-saving.



◆ Load sensing hydraulic system

Load-sensitive hydraulic system ensures the fork to lift with full load while the engine is running idly so as to reduce fuel consumption.

◆ Improved longitudinal stability of the forklift

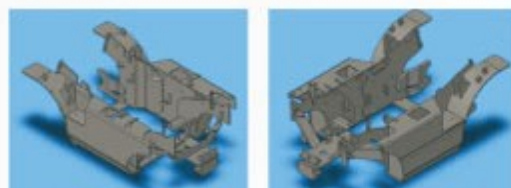
Stability is better than other products of same class.

◆ Strengthened chassis

Integrated design with strengthened tail stock ensures safer operation.

◆ Enhanced working unit

Lifting speed is improved by 5%.



◆ Three-gear drive mode

Mast, chains and oil tanks of 1-3.5t internal combustion forklift are enhanced for operation with heavy load.





No.2 Safe and reliable

◆ Engine electrical system adopts water-proof connectors

The imported water-proof connectors are more reliable.

Water-proof grade Ip65

◆ Reliable sealing of oil tank cover

The cover adopts flange sealing against leak.



◆ 24° cone+Oring

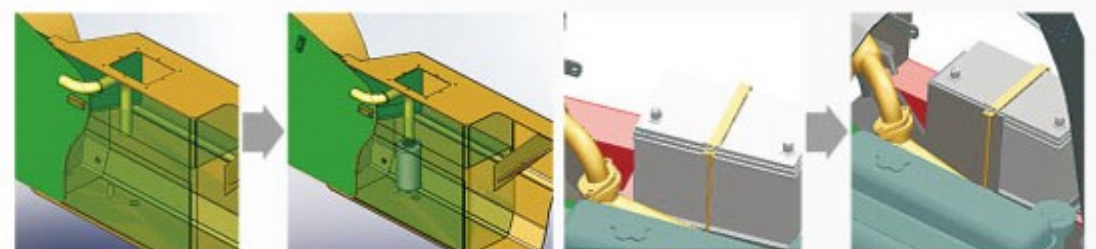
The hydraulic system adopts the most advanced sealing.

◆ High quality hydraulic system

The system is equipped with a return oil filter to improve reliability and service life.

◆ Battery insulation plate

Insulation plates are provided between the battery and exhaust pipe for 2-3.5t internal combustion forklift to prolong service life of battery.



No.3 High efficiency

◆ Spacious cab

Ergonomics-based design ensures easy operation.

◆ Wide mast

Wide mast broadens visual field.



No.4 Easy for maintenance

◆ Early-warning of instruments service is provided

Regular early-warning of instruments service realizes intelligent service.

◆ Large opening angle of engine hood

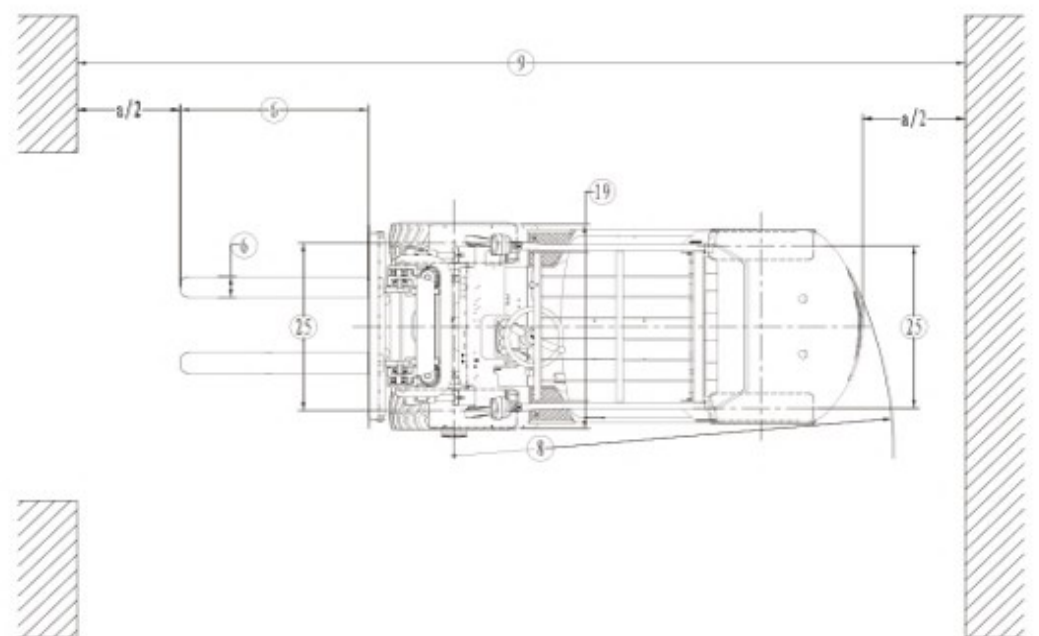
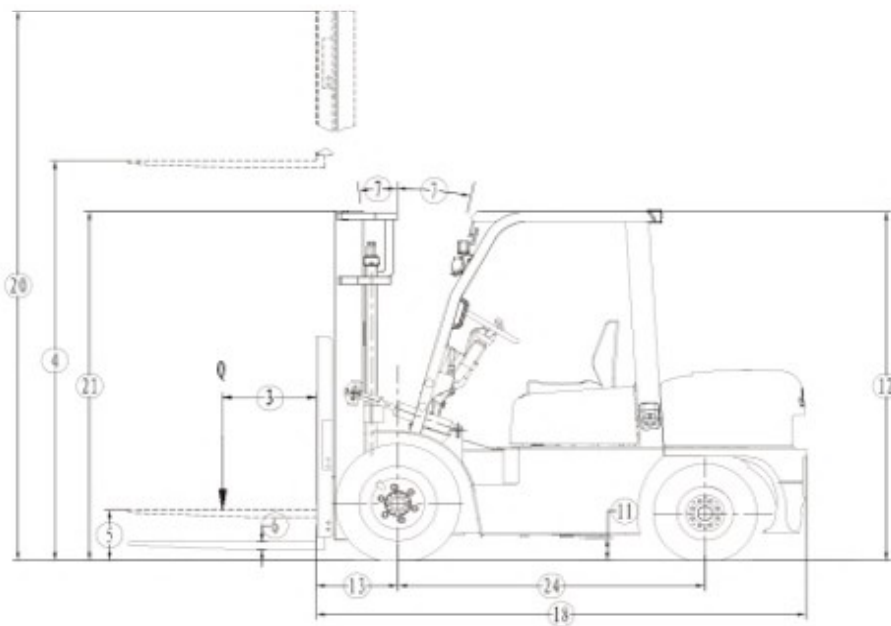
The engine hood can be lifted to 80° for easy maintenance.



SPECIFICATIONS

Model			CPCD10H	CPCD15H	CPCD18H	CPC10H	CPC15H	CPC18H	CPCD20H	CPCD25H	CPC20H	CPC25H	CPCD30H	CPCD35H	CPC30H	CPC35H	CPC38H	CPCD38H	CPC40H	CPCD40H
1	Power type		Diesel						Diesel				Diesel				Diesel			
2	Rated load	kg	1000	1500	1800	1000	1500	1800	2000	2500	2000	2500	3000	3500	3000	3500	3800		4000	
3	Load center distance	mm	500						500				500				500			
4	Lift height	mm	3000						3000				3000				3000			
5	Free lift height	mm	155						240				165				110			
6	Fork size	L x W x T	920 x 100 x 40						1070 x 122 x 40				1070 x 125 x 45	1070 x 125 x 50	1070 x 125 x 45	1070 x 125 x 50	1070 x 150 x 50			
7	Mast tilt angle	FR/RR	6/12						6/12				6/12				6/12			
8	Minimum turning radius	mm	1880	1955	1985	1880	1955	1985	2170	2230	2170	2230	2550	2570	2550	2570	2835			
9	Minimum right angle stacking	mm	3290	3365	3395	3290	3365	3395	3635	3695	3635	3695	4025	4045	4025	4045	4325			
10	Minimum right angle aisle width	mm	2080	2155	2185	2080	2155	2185	2370	2430	2370	2430	2750	2770	2750	2770	3035			
11	Minimum ground clearance	mm	110						110	110	110	110	130				138			
12	Height of overhead guard	mm	2060						2070				2090				2140			
13	Overhang(FR)	mm	410						465				475				490			
14	Maximum travel speed	Full load	14.6						18		18		19	19	19	19	19			
15	Maximum lift speed	Full load	510						500				560	430	560	430	445	431		
16	Maximum drawbar pull	Full load	12	14	19	12	14	19	11.7	11.4	11.7	11.4	20	28	20	28	20.8		21.8	
17	Gradeability	%	20						20	18	20	18	15				15			
18	Overall length	Without forks	2160	2235	2270	2160	2235	2270	2505	2580	2505	2580	2765	2800	2765	2800	2950			
19	Overall width	mm	1080						1160				1230				1410			
20	Fork height at maximum lift(with)	mm	3930						3944				4230				4220			
21	Mast height	mm	2010						1995				2075	2120	2075	2120	2125			
22	Tires	Front wheel	6.50-10-10PR						7.00-12-12PR				28 x 9-15-14PR				250-15-16PR			
23	Tires	Rear wheel	5.00-8-10PR						6.00-9-10PR				6.50-10-10PR				6.50-10-10PR			
24	Wheelbase	mm	1400						1600				1760				1900			
25	Tread	Front wheel/rear wheel	891/920						970/970				1000/970				1160/1065			
26	Self weight	Without load	2430	2790	2890	2430	2790	2890	3300	3660	3140	3680	4140	4460	4100	4420	5030	5070	5160	5200
27	Battery	Voltage/capacity	12/80						12/80				12/80				12/80			
28	Engine	Model	Xinchang 4N23G31						Xinchang 4D27G31				Xinchang 4D27G31				Xinchang 4D30G31	Quanchai 4C4-50V31		
29	Engine	Rated output	30/2600						36.8/2500				36.8/2500				36.8/2500	36.8/2500		
30	Engine	Rated torque	131/1700-1900						156/1700-1900				156/1700-1900				174/1800-2000	185/1800		
31	Engine	Bore x stroke	85 x 100						90 x 105				90 x 105				95 x 105	98 x 105		
32	Engine	Number of cylinders	4						4				4				4	4		
33	Engine	Displacement	2.27						2.67				2.67				2.98	3.168		
34	Fuel tank capacity	L	49						55				66				66			
35	Transmissions(FWD/RWD)		1/1 Manual shift			2/2 Manual shift			1/1 Manual shift		2/2 Manual shift		1/1 Manual shift		2/2 Manual shift		2/2 Manual shift	1/1 Manual shift	2/2 Manual shift	1/1 Manual shift
36	Operating pressure	Mpa	15.5						18.5				14.5				14.5			
37	Tire type(FR/RR)		Pneumatic						Pneumatic				Pneumatic				Pneumatic			
38	Number of wheels(FR/RR)	Pcs	2/2						2/2				2/2				2/2			
39	Lowering speed(full load)	mm/s	370						450				460	330	460	330	480	490		
40	Lowering speed(no load)	mm/s	640						500				430	330	430	330	450	450		
41	Axle load distribution(full)	kg	2840/380	3640/520	4040/600	2840/380	3640/520	4040/600	4740/660	5470/805	4740/660	5470/805	6270/870	7015/945	6240/860	6980/940	7870/960	7890/980	8160/100	8180/1020
42	Axle load distribution(no)	kg	1220/1020	1170/1490	1140/1750	1220/102	1170/149	1140/175	1415/1340	1475/2305	1415/134	1475/230	1640/2500	1660/2800	1620/248	1650/277	2020/301	2040/3030	2070/309	2090/3110

Calculation of minimum right angle stacking aisle width: Pallet size: 1100mm×1100mm, total clearance(FR/RR):100mm



DIMENSIONAL DRAWING

